

Buffer Tank

KB Series

- 100L
- 200L
- 300L
- 400L



The buffer tank ensures smooth operation of the heat pump, extending its service life. The buffer tank acts as a „storage” for heat energy and also ensures the correct defrost process. Thanks to the additional hydraulic connections, extra heating sources can be connected to the system. Made from high-quality materials, the thermal insulation significantly reduces standstill losses.



Polish Brand
Polish Guarantor

5

5-year guarantee



High quality



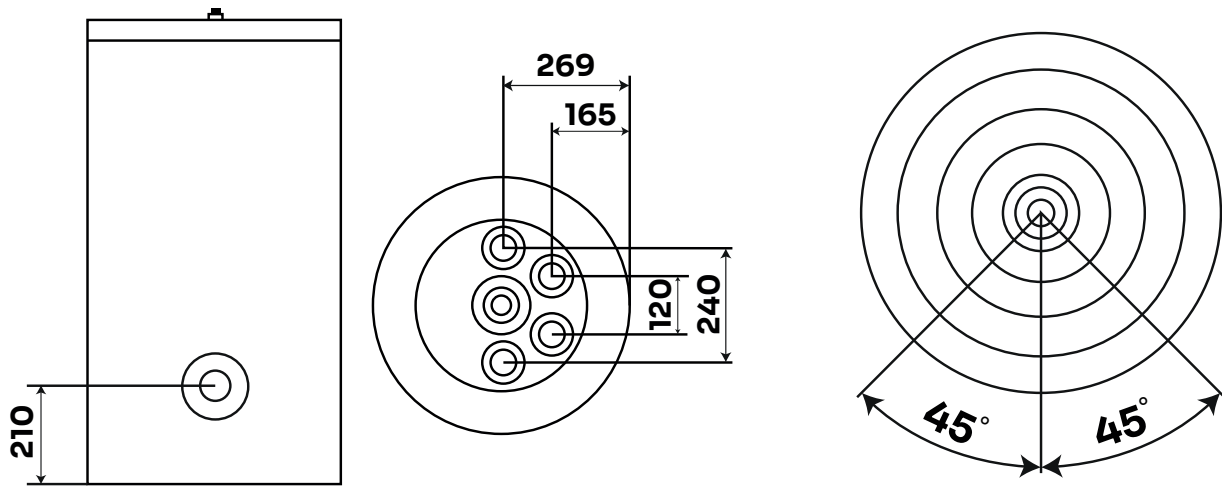
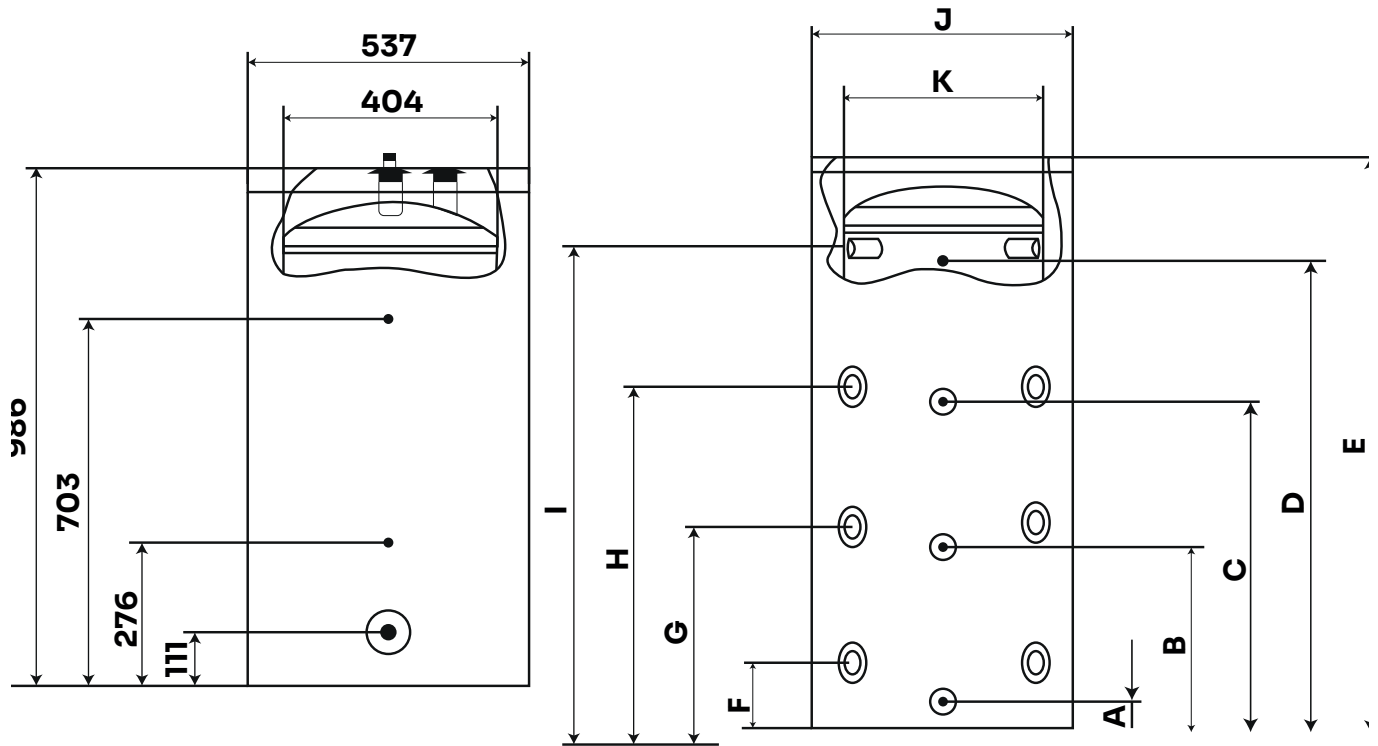
Easy to install

KENSOL

ENERGY FOR THE FUTURE

TECHNICAL DATA

Parameter		KB100L	KB200L	KB300L	KB400L
Storage capacity (V)1)	l	100	200	300	400
Standstill loss (S)1)	W	68,06	84,60	97,20	106,90
Energy efficiency class	-	C			
Max. pressure of central heating circuit	bar	3			
Max. working fluid temperature	°C	90			



DIMENSIONS OF BUFFER TANKS KB200L, KB300L, KB400L

type/ dimension	A	B	C	D	E	F	G	H	I	J	K
KB200L	125	419	706	969	1262	230	189	149	1009	∅675	∅505
KB300L	125	593	1053	1489	1782	230	663	1096	1529	∅675	∅505
KB400L	137	518	878	1214	1543	255	588	911	1255	∅825	∅642

Due to the continuous technical innovation, technical data above might be of modification accordingly. KENSOL informs of its sole right to make modifications at anytime without further notice.

v1.1.04.2023